

4

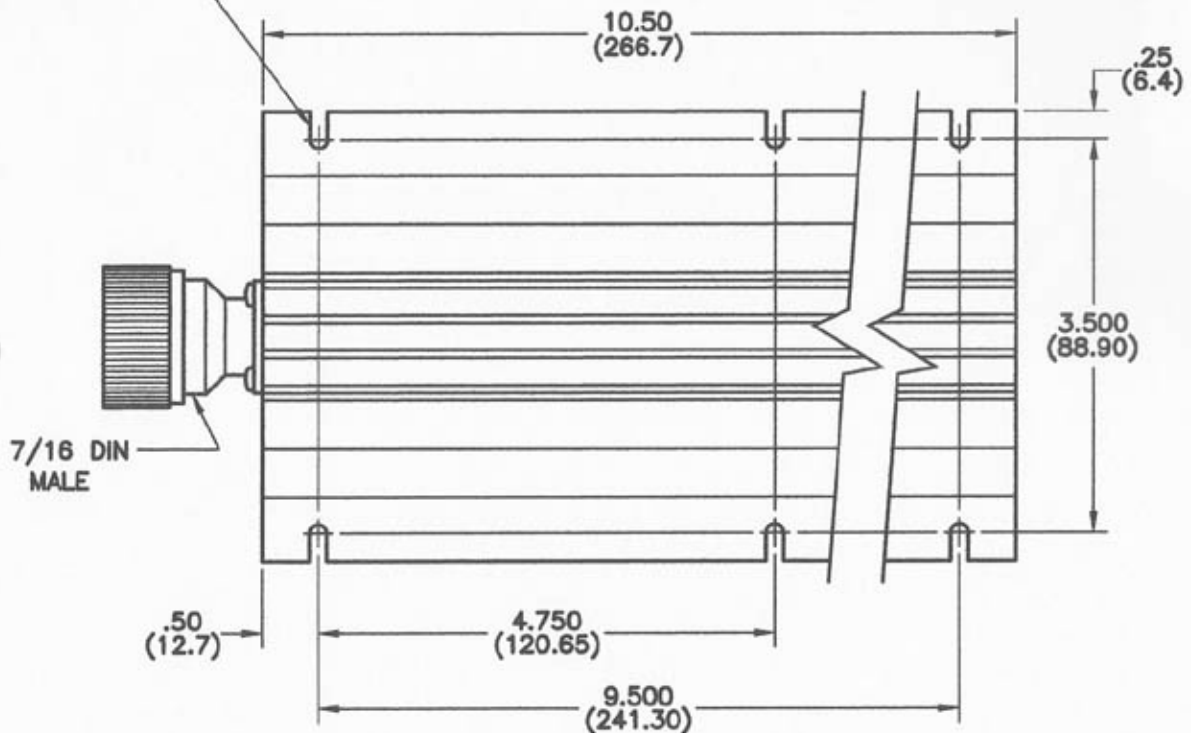
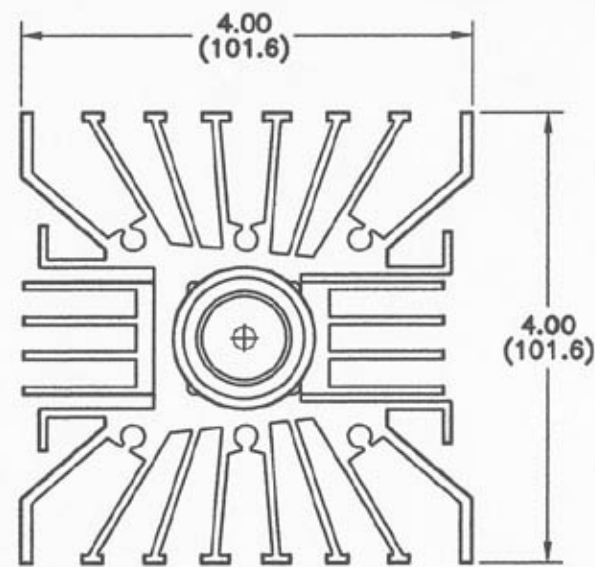
3

2

1

REVISIONS				
REV	ZONE	DESCRIPTION	DATE	BY ECO

.156(3.96) WIDE SLOT
6 PLACES, TOP & BOTTOM



SPECIFICATIONS

- FREQUENCY RANGE - DC TO 6.0 GHz
- IMPEDANCE - 50 OHMS
- VSWR (DC - 2.0 GHz) - 1.20:1
- (2.0 - 4.0 GHz) - 1.35:1
- (4.0 - 6.0 GHz) - 1.40:1
- INPUT POWER (AVG.) - 300 WATTS
- (PEAK) - 2000 WATTS
- OPERATING TEMPERATURE - -55°C TO +125°C
- CONNECTOR TYPES - TYPE N, TNC, 7/16 DIN, PLUG OR JACK (7/16 DIN MALE SHOWN)
- WEIGHT - ~ 6.5 lbs

DIMENSIONS: INCHES
(MILLIMETERS)

TOLERANCES		THE INFORMATION CONTAINED IN THIS DOCUMENT IS THE PROPERTY OF MICROWAVE DEVICES, INC. AND IS PROPRIETARY. IT IS NOT TO BE COPIED OR USED FOR ANY PURPOSE OTHER THAN AS INSTRUCTED, IN WRITING, BY MICROWAVE DEVICES, INC.
DEC.XX ± .05	FRACTION ±	
.XXX ± .010	ANG ±	
MATERIAL		
FINISH		
CHK	DATE	
APPD	SIGNATURES	
APPD	DR G.V.Cottrion	
APPD	DATE 12-2-08	

Microwave Devices
RF and Microwave Components

**OUTLINE, TERMINATION,
MODEL 6300-7-6**

CAGE 60674 SIZE B DRAWING NO. 900773-2

DRAWING SCALE 1:1 SHEET 1 OF 1

CONTACT: MICROWAVE DEVICES - 1150 N. GRAHAM RD.
FRANKLIN, IN 46131 (317) 736-8033

DIMENSIONS ARE IN INCHES UNLESS OTHERWISE SPECIFIED.

4

3

2

1